

the best way to open and close your gate.

one touch

A single press of your Merlin remote – your gates open automatically allowing you to drive into the security of your property. One more press – the gates close behind you. All from the comfort and safety of your car – what could be easier. The same high security Merlin remote can operate your garage door opener or lighting.

The Merlin sliding gate operators are high quality Italian made operators. The strongly built monoframe design incorporates a rugged bearing housed gearbox. The Merlin sliding gate operators will provide years of quiet, dependable performance.

features

- Integrated Merlin high security receiver, features code hopping with random selection from 4.3 billion possible unique codes.
- Powerful 24 volt or 230 volt options available.
- Advanced microprocessor based electronic controller features quick setup or customized programming for personal features customization.
- Pedestrian access for partial opening of gates.
- Slow down function. The system slows the motor at the end of the close cycle to reduce noise and stress.
- Can be powered by 230V ac mains, solar or low power wiring.
- Optional battery back up in the event of a power failure. (G715D only)
- A keyed manual release allows secure disconnection for manual operation
- Electronic sensitivity stops the gate if obstructed
- Can learn up to 40 remote controls. These can be individually managed.
- Wide range of accessories available.



G740A



G715D

warranty

24 month general warranty backed by Merlin
– a leader in remote control openers for over 15 years.

dealer:

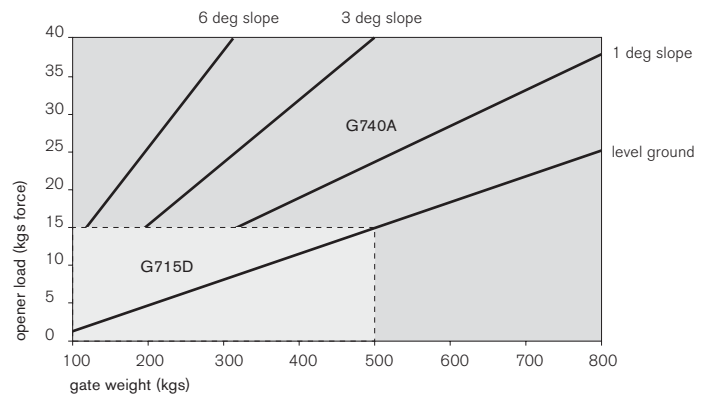
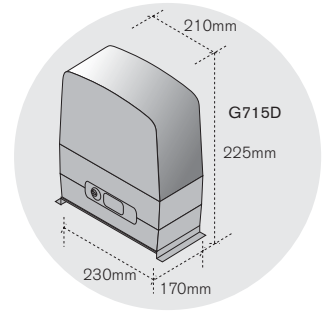
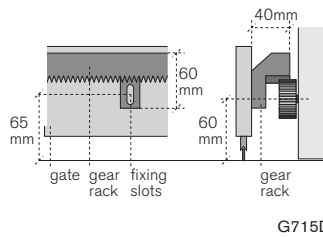
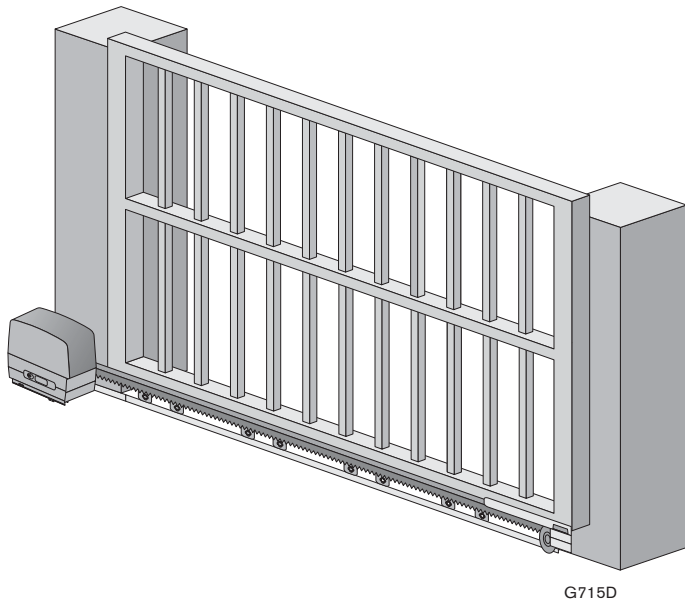


Freephone
Australia 1800 638 234
New Zealand 0800 653 667
United Kingdom 0800 073 0112
www.merlingo.com



actual size

designed for reliability. engineered to last.



professionally installed

- Merlin Authorised Installers are professionals who will ensure your opener is installed with care to work safely and reliably. May entitle you to additional on-site product warranty, ask dealer for details.

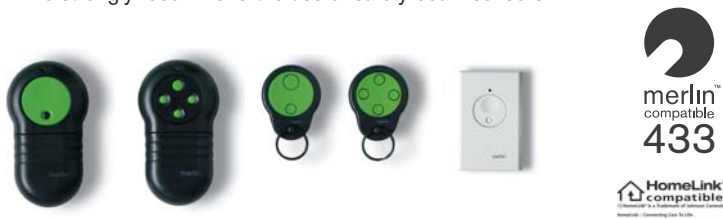
Using pull scales, determine the maximum force used to move the gate.

Draw a horizontal line from that point to intersect with the corresponding track slope. This will give an indication of the gate weight. Note: This is a guide only, check on site for correct pull force, if in doubt upspec. See our website www.merlingo.com for more details on testing and selection of the correct model for your gates.

accessories

For the full range of accessories please refer to the accessories brochure.

- We strongly recommend the use of safety beam sensors.



A variety of 2 and 4 channel standard transmitters, keyring transmitters and a wireless wall button are available. Extra channels can operate other Merlin compatible openers or lighting products. Each gate opener can be operated by up to 40 transmitters. Each transmitter can be easily programmed to operate door, gate, lighting or other devices. Transmitters operate with all products carrying the merlin compatible logo.



specifications	G715D	G740A
Power options	240vac, 12vdc, solar	240vac
Current	1.5amps	1.2amps
Travel time	10 m/min	12 m/min
* Maximum travel time	3 min	3 min
* Maximum rated force	180N	400N
* Maximum gate length	any	any
* Maximum gate weight	500kg	800kg
Duty cycle	80%	60%
Application	level sites	inclined sites / heavy gates

* Gate construction, quality of hardware used, installation set-up and location may greatly affect the working performance of the operator, ask your dealer for details.

merlin product range:



Ask your Merlin Dealer or visit www.merlingo.com